



**R135**  
**Drum Rotation Indicator**



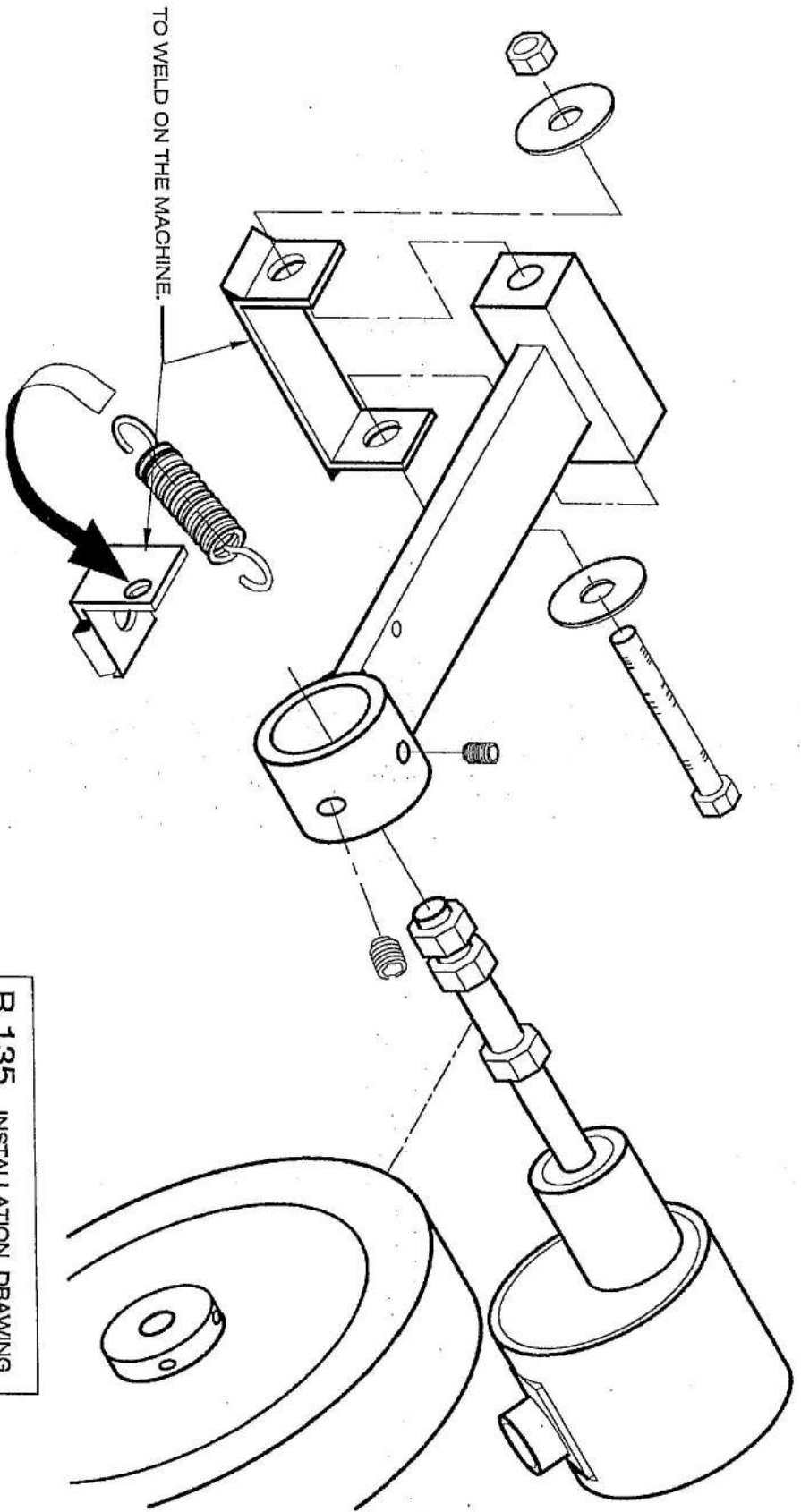
Crane Warning Systems Atlanta  
770-888-8083  
[www.craneindicators.com](http://www.craneindicators.com)  
[sales@craneindicators.com](mailto:sales@craneindicators.com)

# **WARNING**

**Our drum rotation indicator R135 has not been developed for installation outside.**

**Do not install without weatherproof protection. Ideally it should be installed inside a crane cab.**

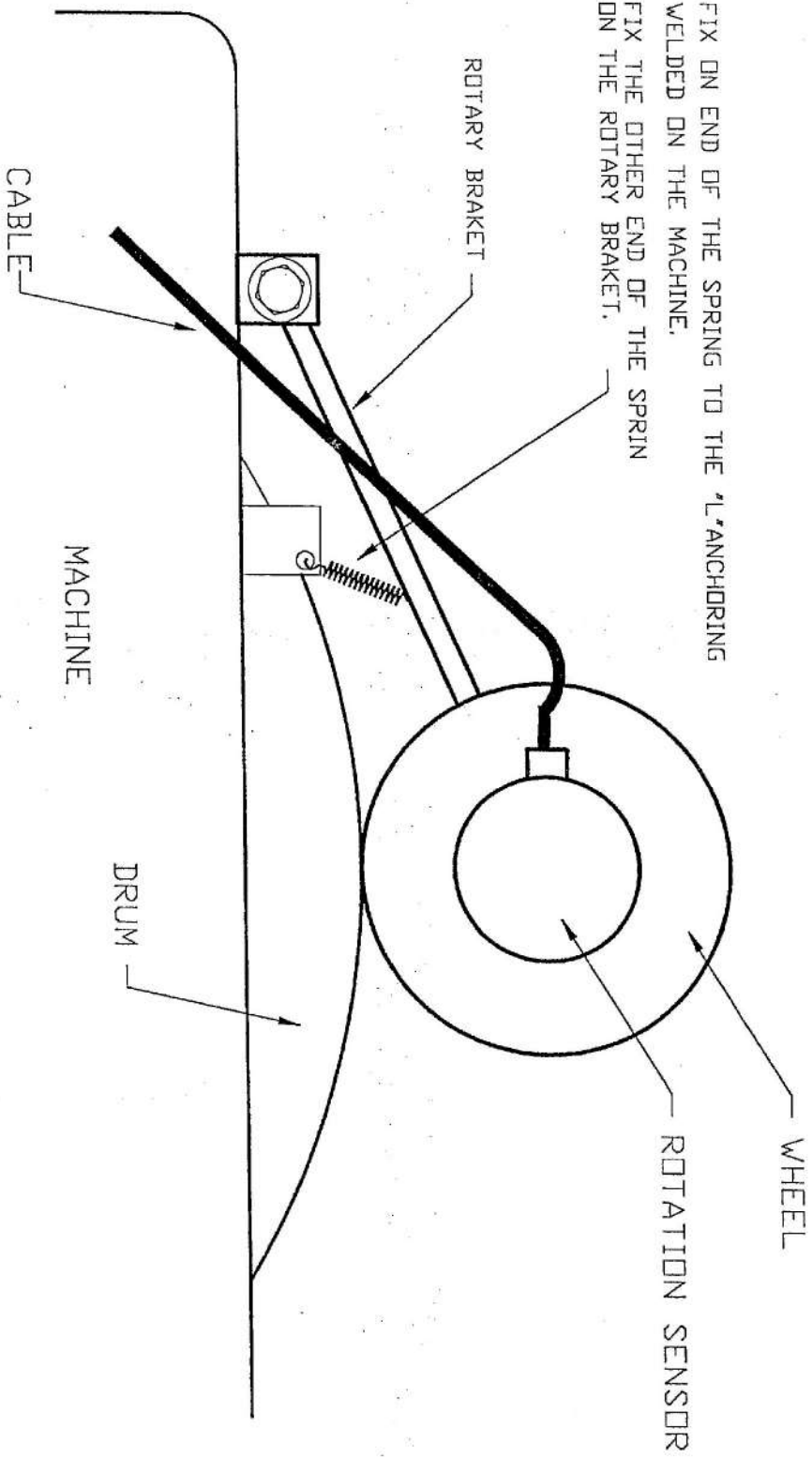
**RAYCO ELECTRONIQUE**  
 2440 AVE DALTON, STE-FOY  
 QUEBEC, CANADA, G1P 3X1  
 TEL: (418) 266-6600  
 FAX: (418) 266-6610



**R 135** INSTALLATION DRAWING

DESIGNATEUR	ECHELLE	NOM DU PROJET	CAPTEUR DE ROTATION R 135				NOM DU DESSIN
F. METAYER							ASSEMBLAGE (22KSK0004 / 33S0010)
MATERIEL	DATE	REV	SIG	APP'D	NO. DESSIN	PAGE	NO. PCE.
	10/08/00				<b>R135EAB010</b>	1/1	<b>22KSK0004</b>

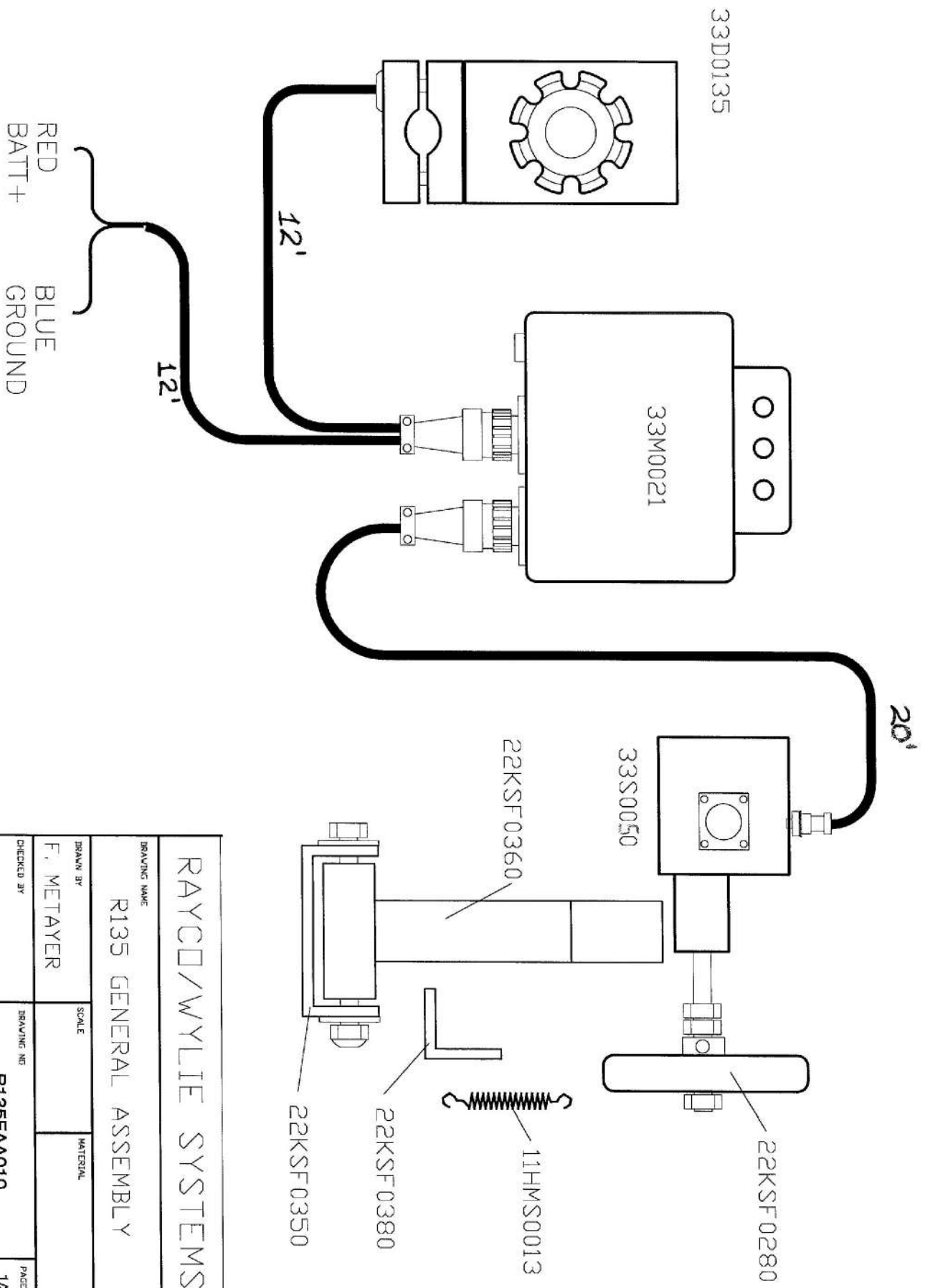
- FIX ON END OF THE SPRING TO THE 'L' ANCHORING WELDED ON THE MACHINE.
- FIX THE OTHER END OF THE SPRING ON THE ROTARY BRAKET.



R 135 ROTATION SENSOR

RAYCO/WYLIE SYSTEMS			
DRAWING NAME: ROTATION SENSOR ASSEMBLY			
DRAWN BY:	SCALE:	MATERIAL:	
F. METAYER			
CHECKED BY:	DRAWING NO:	PAGE:	
	R135EAA010	2/2	

**R 135 ROTATION SENSOR KIT**



RAYCO/WYLIE SYSTEMS

DRAWING NAME:  
R135 GENERAL ASSEMBLY

DRAWN BY:  
F. METAYER

CHECKED BY:  
R135EAA010

SCALE:

MATERIAL:

PAGE:  
1/2