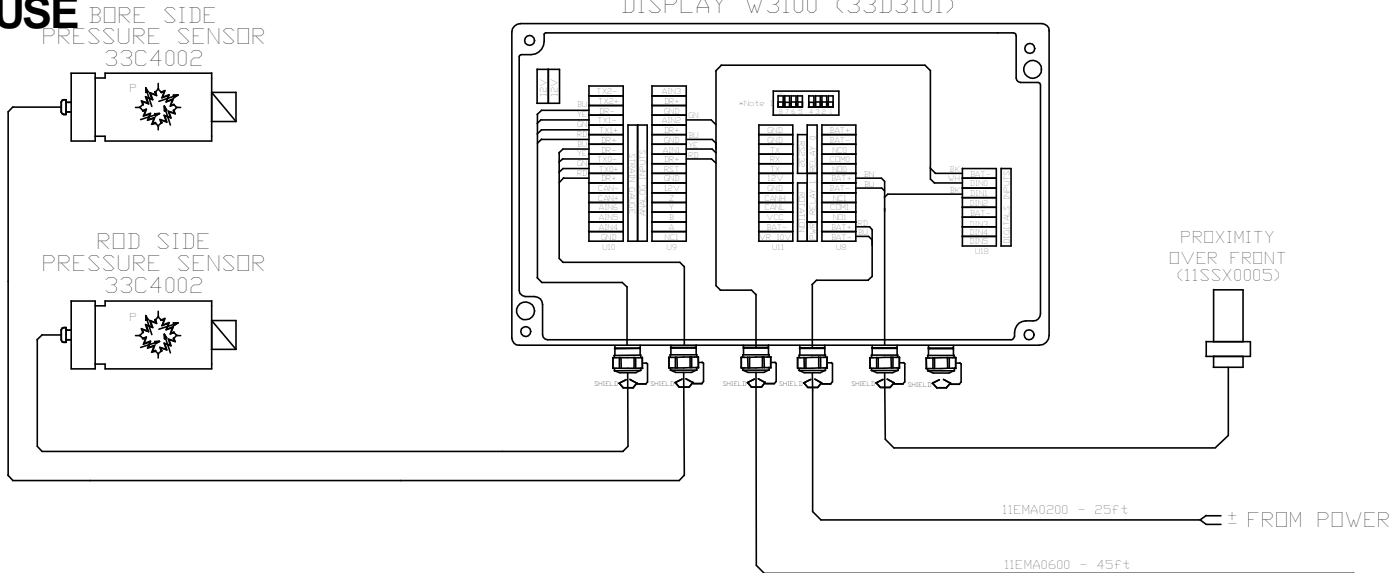
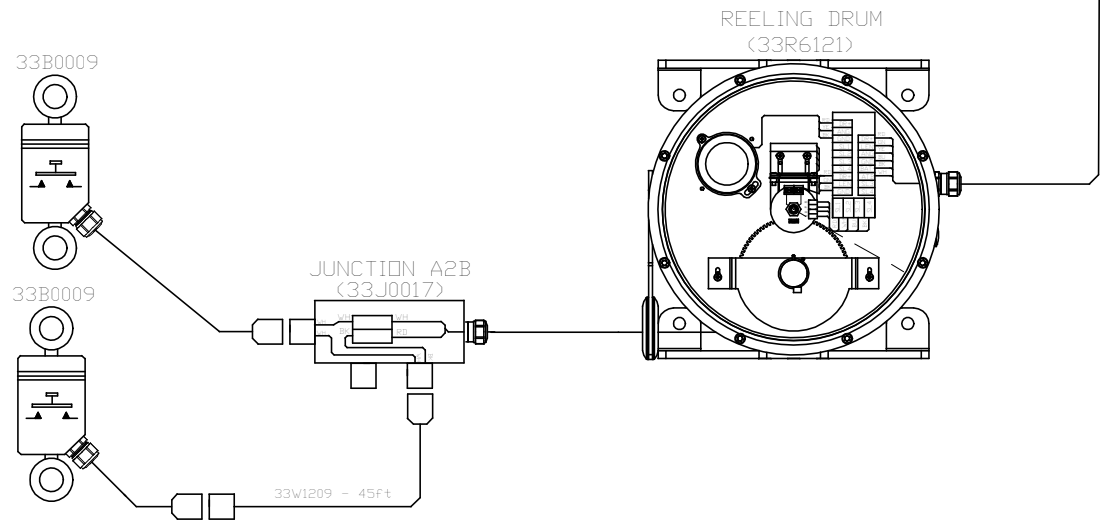


FOR EXTERNAL USE



Note: connect the shield (outer wire) of this contact with the ground to protect the signal.



LEGEND

DIP SWITCH DESCRIPTION

Module 1

1	←←← Dn TX0+ = 243 ohms
2	←←← Dn TX0- = Gnd
3	←←← Dn TX1+ = 243 ohms
4	←←← Dn TX1- = Gnd
5	←←← Dn TX2+ = 243 ohms
6	←←← Dn TX2- = Gnd
7	Not Connected
8	Not Connected
9	← ←→
10	← ←→

Module 2

1	Calibration ←←← OFF DN →→→
2	Not Connected
3	Not Connected
4	Not Connected
5	← Shaft ←←← Up Down →→→
6	← ←→
7	← ←→

VCC +5V Isolated
 12V Isolated
 DR+ +5V Isolated
 DR- +5V Isolated
 VR+ +10V Not Isolated
 BAT+ Not Isolated
 BAT- Not Isolated