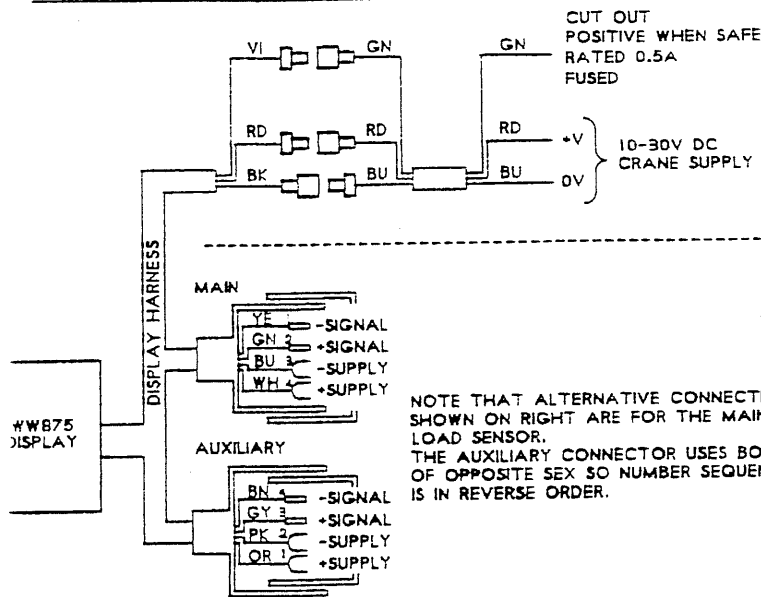


# SUPPLY/CUTOUT CONNECTIONS



NOTE THAT ALTERNATIVE CONNECTIONS SHOWN ON RIGHT ARE FOR THE MAIN LOAD SENSOR. THE AUXILIARY CONNECTOR USES BODY OF OPPOSITE SEX SO NUMBER SEQUENCE IS IN REVERSE ORDER.

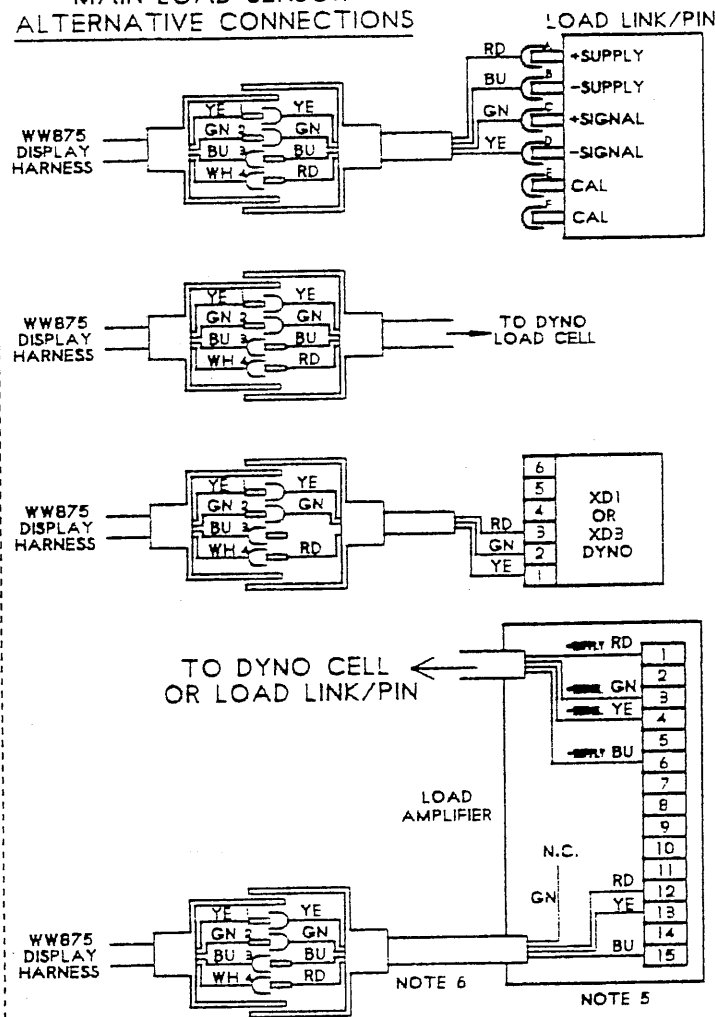
## NOTES

1. JUNCTION BOXES, SLIP RINGS AND STOWAGE DRUMS ETC. MAY BE FITTED, ENSURING WIRES PASS THROUGH COLOUR FOR COLOUR.
2. WHEN PASSING THROUGH SLIP RINGS OR THROUGH EXCESSIVE LENGTHS OF CABLE, (SEE WYLIE CONTRACT DESIGN STANDARD 2.1.9), THE AMPLIFIER OPTION MUST BE USED.
3. TO REDUCE THE NUMBER OF CABLE CONDUCTORS RUNNING UP BOOM ON TWIN LOAD SYSTEMS, THE SUPPLIES FOR MAIN AND AUX MAY BE COMMONED VIA JUNCTION BOXES, PROVIDED THE CABLE LENGTH IS NOT EXCESSIVE. (SEE WYLIE CONTRACT DESIGN STANDARD 2.1.9.).
4. CONNECT CABLE SCREENS TO CHASSIS WHERE POSSIBLE.
5. IGNORE ANY REFERENCE TO WIRE COLOURS ON OLD AMPLIFIER LABELS, CONNECT AS SHOWN ON THIS DRAWING.
6. THE CABLE FROM AMPLIFIER TO DISPLAY HARNESS ON PRE-ISSUE C DRAWINGS USED DIFFERENT WIRE COLOURS, BUT SAME CONNECTIONS.

## DISPLAY SWITCH SETTINGS

	SW7	NO INPUT	LOAD SENSOR	DYNO LOAD CELL	XD1 OR XD3 DYNO	LOAD AMP
MAIN	1	ON	ON	ON	OFF	ON
	2	ON	OFF	OFF	OFF	ON
	3	ON	OFF	ON	ON	ON
	4	OFF	ON	ON	OFF	OFF
AUX	5	ON	ON	ON	OFF	ON
	6	ON	OFF	OFF	OFF	ON
	7	ON	OFF	OFF	ON	ON
	8	OFF	ON	ON	OFF	OFF

# MAIN LOAD SENSOR ALTERNATIVE CONNECTIONS



DRG. No.

DW0514-3

ISS.	EDI	DATE	SIG.	APP'D
A	7319	27/4/77	S.L.	
B	7326	3/5/96	S.L.	
C	7335	23/5/94	S.L.	
D	7336	26/5/94	S.L.	JRM
E				
F				
G				
H				
J				
K				
L				
M				
N				
P				
Q				
R				

TOLERANCES - UNLESS OTHERWISE STATED

NOMINAL DIMENSIONS ± 0.5

DECIMAL DIMENSIONS ± 0.25

ANGULAR DIMENSIONS ± 0.5°

SCREW THREADS Unless otherwise stated these are R.H. and parallel, metric and B.S.P., are medium fit. All in accordance with current British Standards.

FINISH

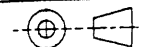
MATERIAL

CODE

DO NOT SCALE-IF IN DOUBT ASK

DIMENSIONS IN MILLIMETRES

PROJECTION



SCALE

The information contained in the drawing is the property of the company. It may not be reproduced in any form, nor the contents disclosed to a third party without the written consent of the company.

TITLE

WW875 SUPPLY/SENSOR WIRING DIAGRAM

DRG. No.

DW0514 3