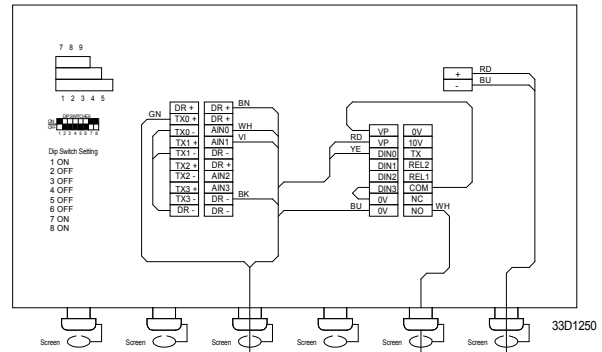
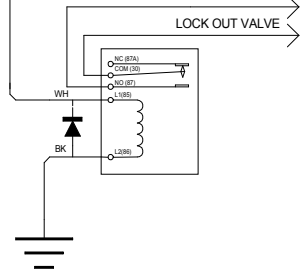


**CONTROL BOX W1250
(33D1250)**



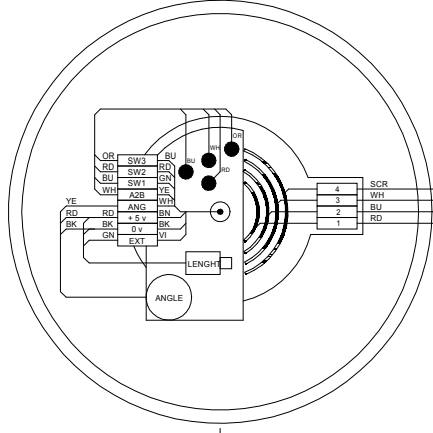
11EMA0200 - 20ft SUPPLY 12V

Cut a wire to the lock-out valve and put the contact of the relay in series with the lock-out valve



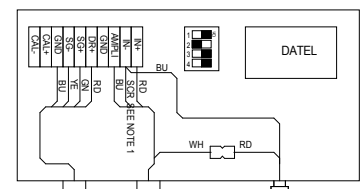
11EMA0800 - 45ft

**REELING DRUM
(33R1411)**



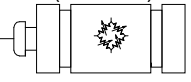
11ERA0300 - 65ft

**AMPLIFIER
(33L0012)**



11EMA0200 - 20ft

**LOAD PIN
(33C2018)**



**A2B MAIN
(33B0006)**



Note 1
PUT HEATSHRINK ON THE SCREENING
□ CRIMP CONNECTOR

THE INFORMATION CONTAINED IN THIS DRAWING IS THE PROPERTY OF RAYCOWYLIE. IT MAY NOT BE REPRODUCED IN ANY FORM, AND THE CONTENTS MAY NOT BE DISCLOSED TO ANY THIRD PARTY WITHOUT THE COMPANIES CONSENT.

	DRAWING BY / DESSINE PAR: DAVID LEMIEUX	COLOURS CODE / CODE DE COULEURS	PROJECT NAME / NOM DU PROJET:
	DATE: 30/03/2006	BU - BLUE / BLEU RD - RED / ROUGE GN - GREEN / VERT YE - YELLOW / JAUNE WH - WHITE / BLANC BK - BLACK / NOIR BK - BROWN / BRUN VI - VIOLET / VIOLET PK - PINK / ROSE	OR - ORANGE / ORANGE TU - TURQUOISE / TURQUOISE GY - GREY / GRIS
	UNITS / UNITES		QUICK MFG MANUFACTURING CO
	DIMENSIONS IN INCHES / DIMENSION EN POUCE		66Q1250TD1 - RATED CAPACITY INDICATOR

ISS	ECO	DATE	SIG	APP'D
REVISION				
SPECIFICATION				
SCALE / ECHELLE:		NTS		
DRG No. / No. du dessin:		75Q1250TD1		SHEET / PAGE
				1/1