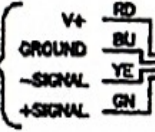
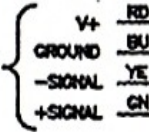


(A VERSION IS AVAILABLE FOR 24VDC SUPPLY USING THE SAME CONNECTIONS FOR SUPPLY IN)

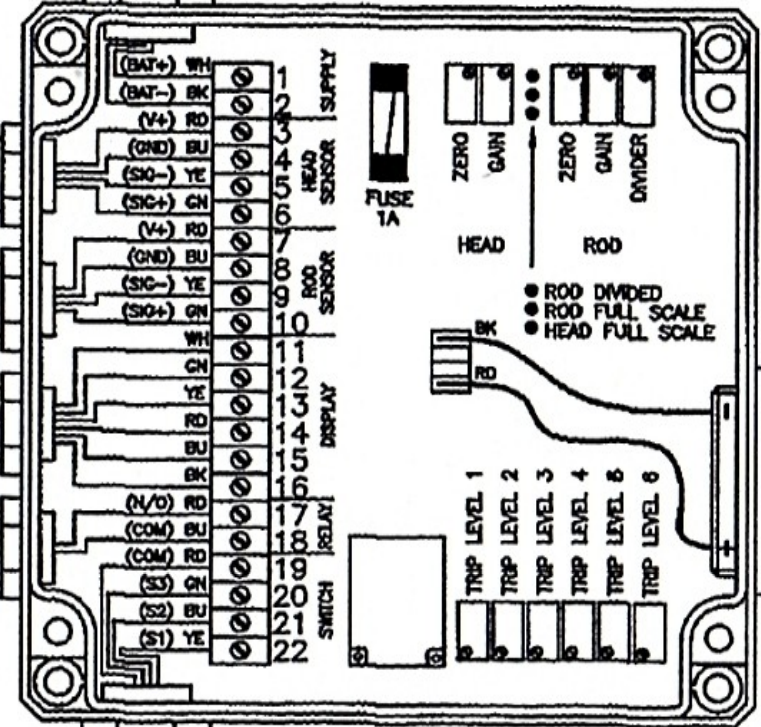
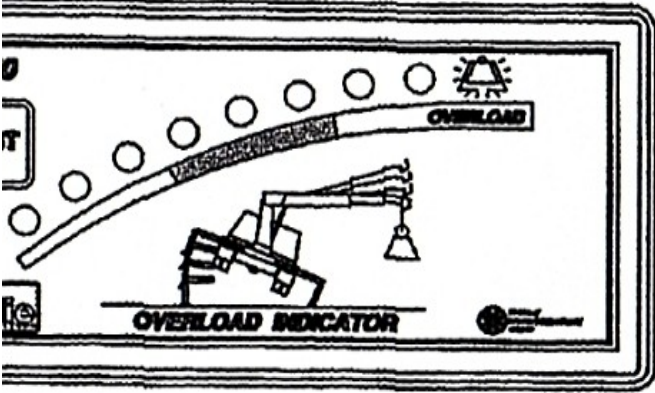
HEAD PRESSURE SENSOR



ROD PRESSURE SENSOR

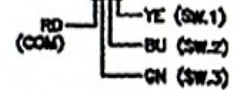
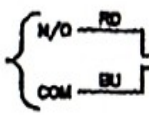


DISPLAY



- ROD DIVIDED
- ROD FULL SCALE
- HEAD FULL SCALE

RELAY CONTACTS SAFE (ENERGISED)
CONTACT RATING—
DC OR 10A@120VAC



TO TRIP LEVEL SWITCH

SWITCH INPUTS:	SW.1	SW.2	SW.3	POT
CLOSED	CLOSED	CLOSED	OPEN	1
OPEN	CLOSED	CLOSED	OPEN	2
* OPEN	OPEN	OPEN	OPEN	3 (DEFAULT)
CLOSED	CLOSED	CLOSED	CLOSED	4
OPEN	CLOSED	CLOSED	CLOSED	5
OPEN	OPEN	CLOSED	CLOSED	6

* WHEN NO CONNECTION IS MADE, THE DEFAULT TRIP LEVEL IS #3