

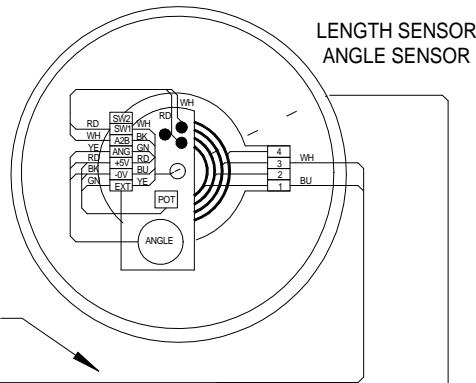
A2B SWITCH  
PROVIDED BY  
SHUTTLELIFT



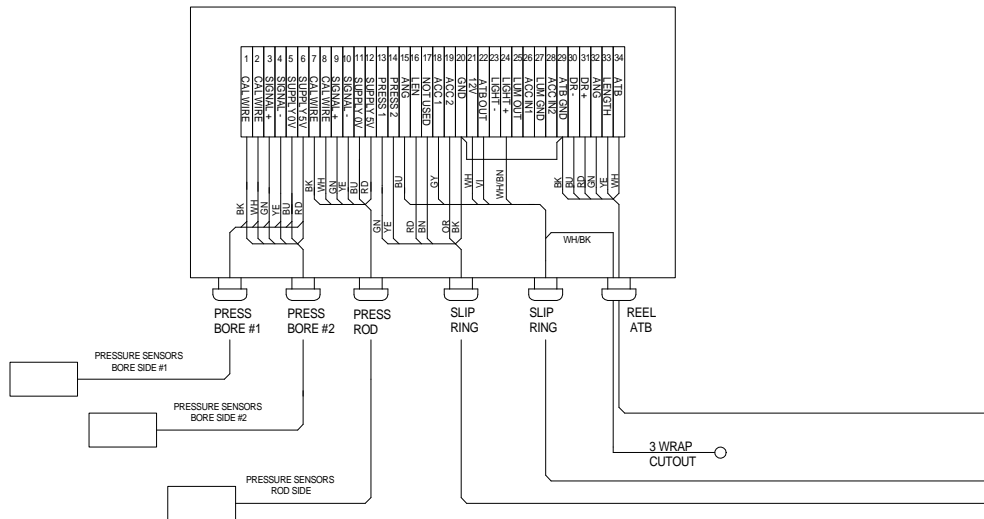
FEMALE CONNECTOR

LENGTH SENSOR CABLE

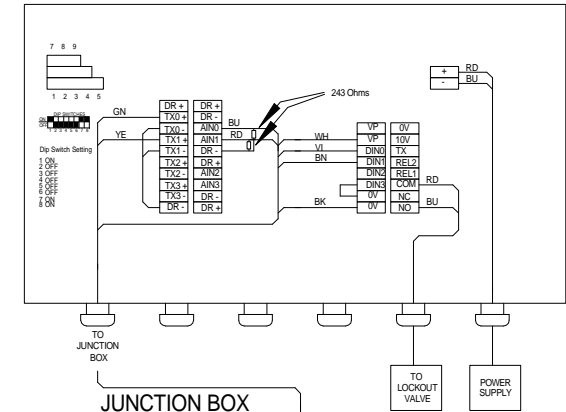
MALE CONNECTOR



LOAD AMPLIFIER JUNCTION BOX

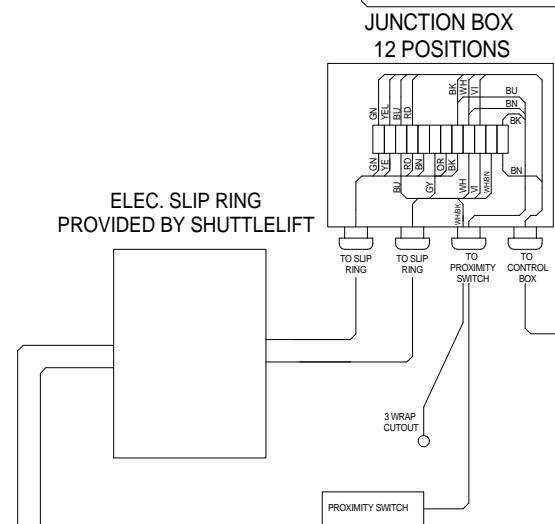


CONTROL BOX W1250



JUNCTION BOX  
12 POSITIONS

ELEC. SLIP RING  
PROVIDED BY SHUTTLELIFT



THE INFORMATION CONTAINED IN THIS DRAWING IS THE PROPERTY OF THE COMPANY. IT MAY NOT BE REPRODUCED IN ANY FORM NOR THE CONTENT DISCLOSED TO ANY THIRD PARTY WITHOUT THE WRITTEN CONSENT OF THE COMPANY



TITLE

WIRING DIAGRAM FOR KIT 66S1258TM1  
LMI FOR SHUTTLELIFT MODEL 7750  
5 SECTION BOOM MARINE TRAVELIFT P/N: 1044760

E				
D				
C				
B		18 APR, 2005	L. Després	
A		22 MAR, 2005	L. Després	C. Simard
ISS	ECO	DATE	SIG	APP'D
DRG No. 75S1258TM1				